

LARGE CAPACITY SOLAR CELLS



VANDAL RESISTANT



6 OR 12 HOUR NIGHT LIGHTING



NO EXTERNAL POWER REQUIRED



DUST PROOF & WATER TIGHT



COST EFFECTIVE INSTALLATION

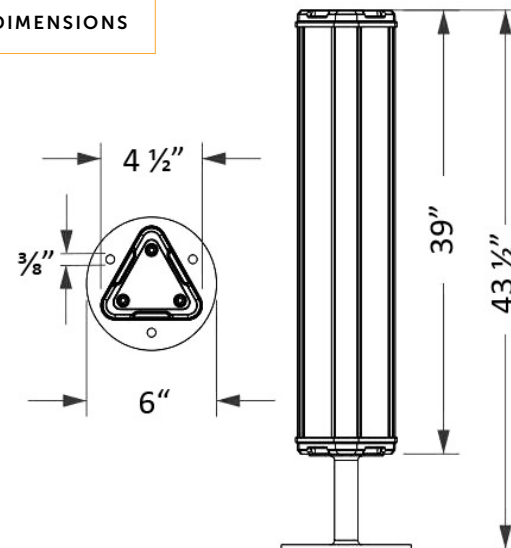
SOLARPOST 200 | SOLAR PATHWAY LIGHTING

DESCRIPTION

Solarpost 200 LED posts provide a vastly greater high lumen, night long light output than any similar sized bollard or post light. With the massive 310 sq.in solar cells skillfully incorporated in the sleek, triangular aluminum posts, the power generating capacity of Solarpost 200 vastly exceeds small pole top mounted panels and avoids the use of large intrusive, solar panels and battery boxes. Consequently, the poles are capable of providing continuous nighttime illumination for many days without daylight.

On/off times and brightness levels can be set to suit specific requirements. These low height poles offer an affordable means of supplying bright and reliable safety and security lighting around housing estates or private homes and along pathways and driveways, without the need for connections to mains electric supply.

DIMENSIONS



FEATURES

- Large capacity (310 sq.in.) solar cells generate up to 21 W total
- Vandal resistant solar cells - sealed behind UV stabilized tempered glass
- Dust proof, watertight enclosures - IP66 rated
- Batteries can last up to 7 years
- Can be set to operate continuously for either 6 or 12 hours at night
- No trenching or remediation work needed, only individual footings need to be installed
- No external power supply needed – install in parks, recreation areas and remote pathways
- Can be installed in a fraction of the time compared with mains powered lighting

SPECIFICATIONS

SOLAR PANELS

POWER	21W (3 x 7W panels)
CONSTRUCTION	PV cells sealed behind UV stabilized tempered glass.
TOTAL AREA	310 sq. in.

BATTERY

TYPE	Ni-MH
CAPACITY	7.4V/ 5.2Ah
LIFETIME	5-7 years at 68°F
OPERATING TEMP.	-13°F to +150°F

LED LIGHTING

COLOR TEMP.	6500K
BRIGHTNESS	Custom set levels
TIMER SETTING	6 or 12 hours

MATERIALS

CAP & LID	Die-cast aluminum
POST & CHASSIS	Extruded aluminum
FINISH	Standard powder coated Finish - RAL 7001 silver grey.
IP RATING	66 (ingress protection)
WARRANTY	2 years

